



www.icecompanies.com

Operator & Parts Manual

Dry Vacuum Cleaner



ID10

The Peoples
COMPANY

2630403EU
REV.01(01-2014)

INTERNATIONAL CLEANING EQUIPMENT

TABLE OF CONTENTS

SAFETY PRECAUTION..... 2
MACHINE OPERATON & STORAGE.....3
MACHINE COMPONENTS4
PARTS LIST 5-8
SPECIFICATIONS9
WIRING DIAGRAM10
WEAR&TEAR PARTS11

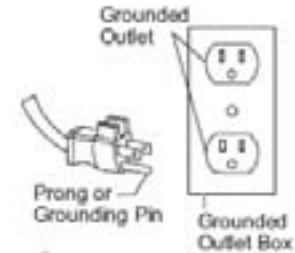
SAFETY PRECAUTION



Carefully read and understand this manual before operating this machine.
This machine must be grounded!

This machine shall be grounded while in use to protect the operator from electric shock. Grounding provides a path of least resistance for electric current. This machine is equipped with a cord having an equipment-grounding conductor and grounding plug. The plug must be plugged into an appropriate outlet that is properly installed and grounded in accordance with all local codes and ordinances. Do not remove the ground pin under any circumstances.

This machine is for use on a nominal 220-volt circuit and has a grounding plug that resembles the plug illustrated in Figure. Make sure that the machine is connected to an outlet having the same configuration as the plug. No adapter should be used with this machine.



This machine is intended for commercial use. It is constructed for use in an indoor environment and is not intended for any other use. Use only recommended accessories.

1. Do not operate machine:

- Unless trained and authorized.
- In flammable or explosive areas.
- With a damaged cord or plug
- If not in proper operating condition.
- Unless you have read and understand the operators manual.
- With the use of extension cords.
- In outdoor areas and standing water.

2. Before operating machine:

- Make sure all safety devices are in place and operating properly.

3. When using machine:

- Do not run machine over cord.
- Do not pull cord around sharp edges or corners.
- Do not handle plug with wet hands.
- Report machine damage or faulty operation immediately.
- Do not pull machine by cord or plug.
- Do not unplug by pulling on the cord.
- Do not stretch cord.
- Keep cord away from heated surfaces.

4. Before leaving or servicing machine:

- Turn off machine.
- Unplug cord from outlet.

5. When servicing machine:

- Unplug cord from outlet.
- Use manufacturer supplied or approved replacement parts.



To avoid electrical shock, please replace the power cord immediately if any damage is being detected. The replacement must be performed only by an authorized person or by our customer service center.

Operation of the Canister Vacuum

 **Read operators manual thoroughly prior to operating or servicing this machine.**

DRY PICKUP.

- 1) Remove the vac head of machine and confirm that there is either a cloth or paper filter in place.
- 2) Replace & the latch vac head.

 **Be sure the machine is not plugged into an outlet.**


- 3) Connect vacuum hose to inlet on the machine body.
- 4) Choose appropriate tool, and attach it to the free end of the hose.
- 5) Plug power cord into grounded outlet.

 **Do not use an extension cord in conjunction with the standard power cord.**

- 6) To start the machine push on the red rocker switch turn on.
- 7) Check the filter bag periodically to see if it is full. For optimal performance, replace the bag when it is 3/4 full.
- 8) This machine is designed to be pulled around by the vacuum hose, so pull the hose, and the vacuum will follow.
- 9) To stop the machine at any time, simply turn off the rocker switch

MAINTENANCE

To keep the machine performing well for many years, please follow the following maintenance procedures.

 **Always confirm that the machine is unplugged prior to performing any maintenance or repairs.**

- 1) Unplug machine as soon as you are done using it.
- 2) Check power cord for any damage. If any damage is detected, replace the cord immediately.
- 3) Lubricate casters with a water resistant lubricant every month
- 4) Check machine for loose or missing nuts and bolts, and replace as necessary.
- 5) Check the filter, and clean it after each use
- 6) Remove the vacuum hose and check it for any holes and clogs
- 7) Clean the outside of the machine with a mild cleaner

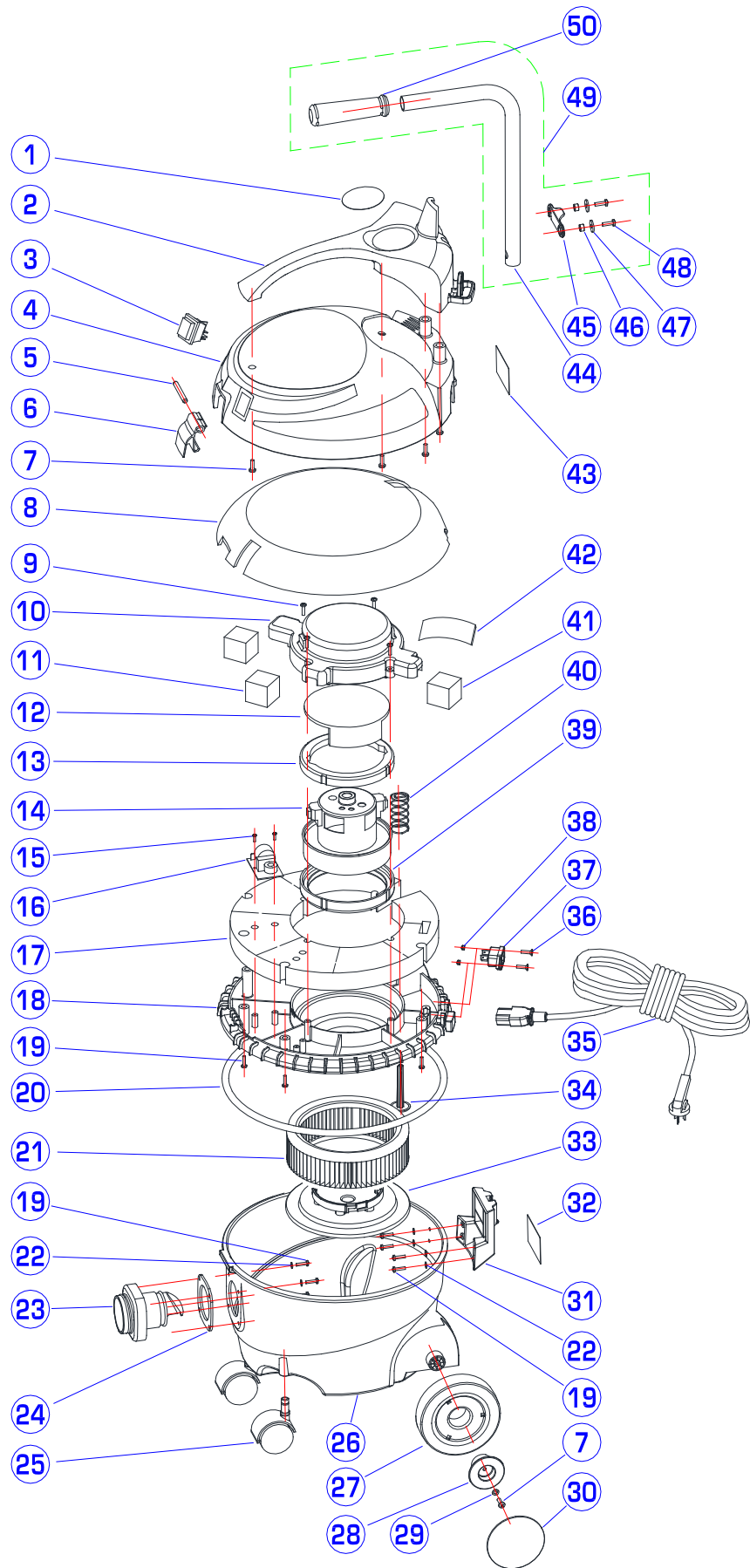
STORAGE

- 1) Unplug machine from power source and wrap cord on handle.
- 2) Attach the combination tool to the holder .
- 3) Store in upright position in a dry area.

MACHINE COMPONENTS

- | | |
|------------------------------|------------------|
| 1. Carrying handle | 2. On/off switch |
| 3. Snap Handle | 4. Hose intake |
| 5. Caster | 6. Wheel |
| 7. Tank | 8. Motor cover |
| 9. Holder , Combination tool | 10. Main cord |

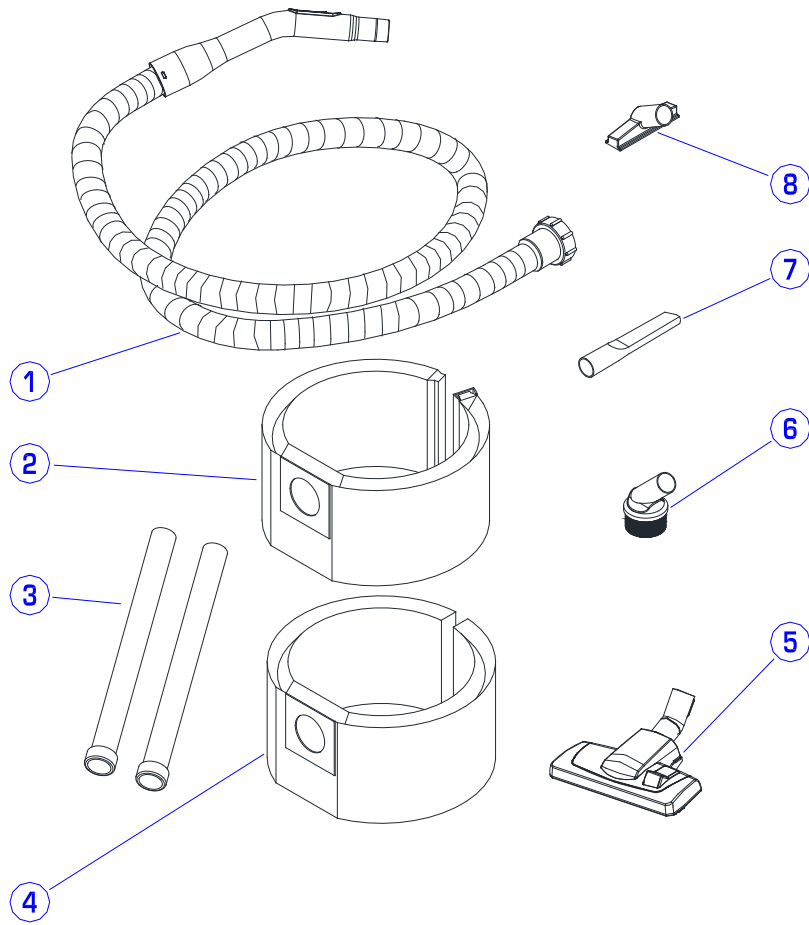




PARTS LIST

DIA NO	PART NUMBER	DESCRIPTION	NO REQ'D
1	2010121	Logo	1
2	2610111	Handle	1
3	2110108	Switch	1
4	2610102	Housing,Vac Head	1
5	2010119	Pin	1
6	2610117	Catch	1
7	1311316	Screw, Ph,ST4.8 X 16	4
8	2610122	Screen,Housing,Vac Head	1
9	1311216	Screw,Ph,ST4.2X16	4
10	2610104	Mounting Cover,Motor	1
11	2010109	Screen,Mounting Cover	2
12	2610123	Silencer,Mounting Cover	1
13	2710105	Top Gasket,Motor	1
14	2710108	Vac Motor,220V	1
15	1310016	Screw,Ph,ST2.9X16	2
16	2010126	EMI	1
17	2610108	Screen,Mounting Base	1
18	2610101	Mounting Base,Motor	1
19	1321220	Screw,Ph,ST4.2 X 19	13
20	2610106	Sealer	1
21	2610118	Filter(HEPA)	1
22	1421409	Washer,Plain,Ø4.3XØ9X0.8	8
23	2020203	Intake	1
24	2020202	Gasket,Intake	1
25	2020210	Caster,Ø50	2
26	2620201	Tank	1
27	2620209	Wheel	2
28	2620207	Axle	2
29	1421516	Washer,Plain,Ø5XØ16X1	2
30	6010138	Cover,Wheel	2
31	2620204	Holder,Combination Tool	1
32	2030414	Warning Decal	1
33	2610119	Bracket,Filter	1
34	2010113	Valve,By-Pass	1
35	2610126EU	Power Cord(EU Plug)	1
	2610126HK	Power Cord(UK Plug), 10M	1
	2610127	Power Cord(UK Plug), 20M	1
36	1122315	Screw,FH,SST,M3X15	2
37	2610128	Socket	1
38	1123305	Nut, Lock, M3	2
39	2010103	Bottom Gasket,Motor	1
40	2010116	Spring	1
41	2010130	Screen,Mounting Cover	2
42	2610124	Silencer,Mounting Cover	2
43	2630405EU	Serial Decal	1
44	2610301	Handle	1
45	2610303	Bracket	1
46	2610304	Spacer	2
47	1221518	Washer,Plain,Ø5XØ18X2	2
48	1221516	Screw,Ph, M5 X 16	2
49	2610300	Handle Assey(Optional)	1
50	2610302	Cover,Handle	1

ACCESSORIES



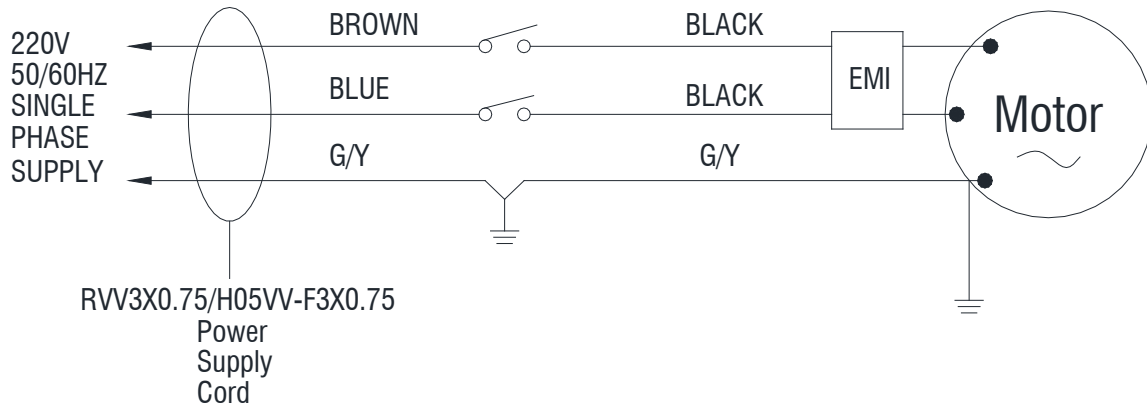
PARTS LIST

DIA NO	PART NUMBER	DESCRIPTION	NO REQ'D
1	2030300	Hose Assy	1
2	2030402	Paper Bag(Optional)	1
3	2030107	Tube,Sst	2
4	2030401	Vacuum Bag,Cloth	1
5	2030220	Combination Tool	1
6	2030104	Dusting Tool	1
7	2030106	Crevice Tool	1
8	2030101	Upholstery Tool	1

TECHNICAL DATA	
Model	ID10
Voltage	220V-240V
Power	1000W
Current	4.5 A
Frequency	50-60Hz
Capacitor(Tank)	13L
Capacitor(Dust Bag)	10L
Vacuum	2300mmH ₂ O(90")
Flow rate	3240L/Min(114CFM)
Sound pressure level at workstation	59 dB(A)
Weight	5.5kg
Length of Power cord	10m
Hepa	H13
Dimensions	39.4cm(L)X36cm(W)X39.6cm(H)

Wiring Diagram

ID10



WEAR & TEAR PARTS

DIA NO	PART NUMBER	DESCRIPTION	NO REQ'D
1	2020210	Caster, ϕ 50	2
2	2620209	Wheel	2
3	2030101	Upholstery Tool	1
4	2030401	VACUUM BAG,CLOTH	1
5	2030220	Combination Tool	1
6	2030104	Dusting Tool	1
7	2030106	Crevice Tool	1